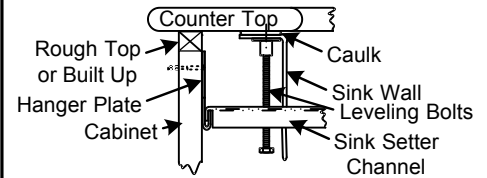
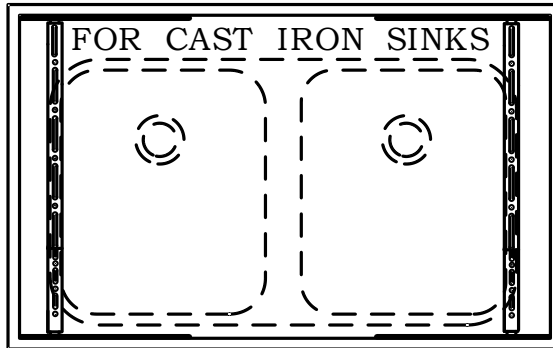


Patents: One Or More Of 5,538,206- 7,4290,21- 7,698,753 Others Pending

UNDERMOUNT SINK INSTALLATION KIT

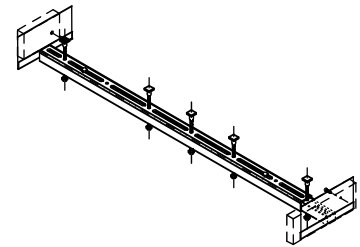
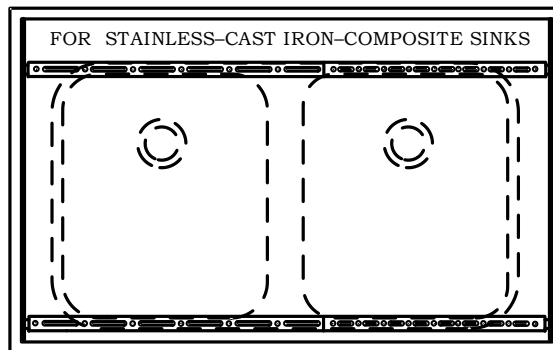
NEW MODEL
PW-99-P
ADJUST FROM
14" TO 26"
FRONT TO BACK



12 – Sets Per Case = 48 lbs.

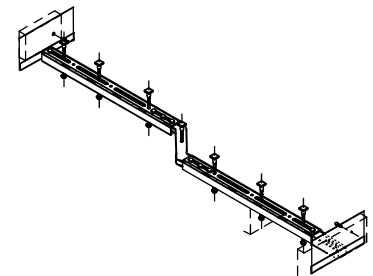
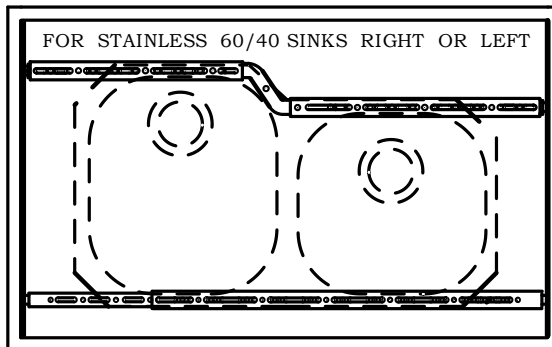
All new models can be installed after counter is installed.
Easy to replace sink if damaged.
Allows you to re-set a sink in existing counter top.

NEW MODEL
PW-104-P
ADJUSTS FROM
25" TO 47"
SIDE TO SIDE



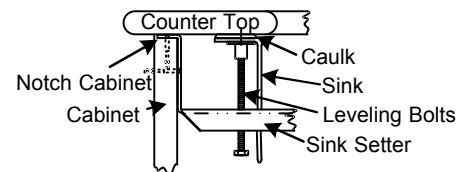
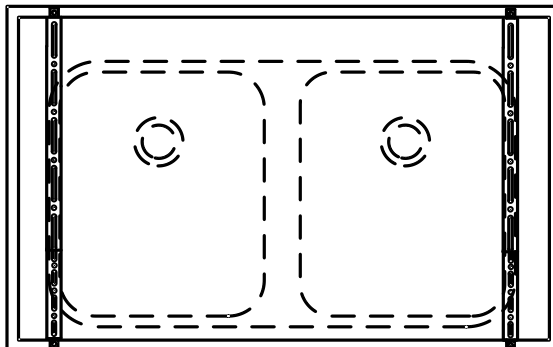
6 – Sets Per Case = 47 lbs.

NEW MODEL
PW-114-P
ADJUST FROM
31" TO 47"
OFFSET
LEFT OR RIGHT



6 – Sets Per Case = 52 lbs.

OLD MODEL
PW-99
ADJUST FROM
14" TO 26"
FRONT TO BACK



12 – Sets Per Case = 38 lbs.