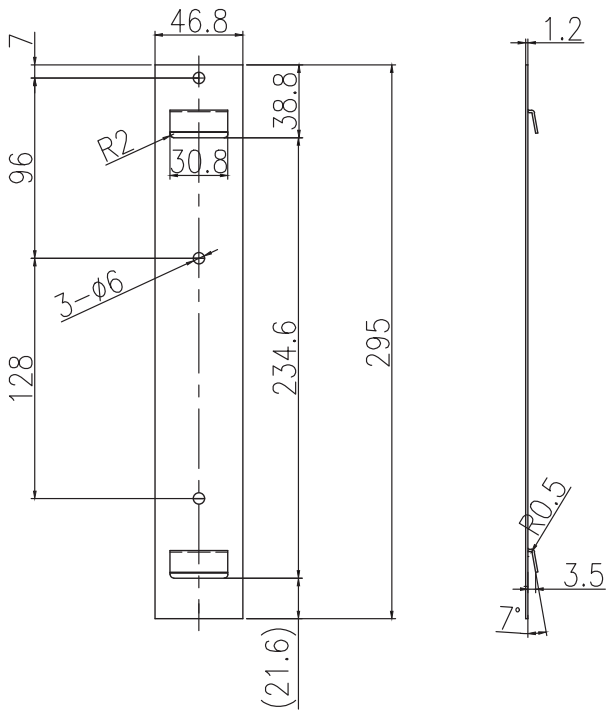


# ADA Modesty Panel

## CNC Specifications:

2 - Panel member



2 - Interchangeable Cabinet Member

