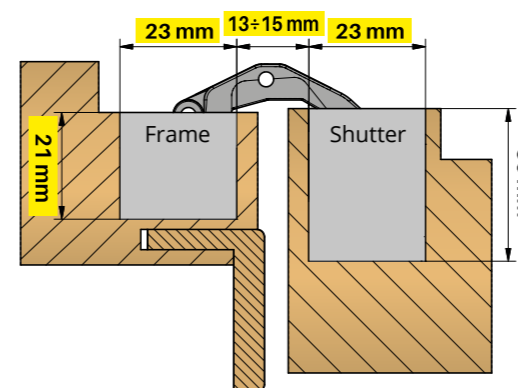


Technical data

Capacity*	60 Kg.
Hinge height	120 mm
Width shutter side	23 mm
Width frame side	23 mm
Depth shutter side	30 mm
Depth frame side	21 mm
Door opening angle	180°
Side adjustment	± 1 mm
Height adjustment	± 2 mm
Depth adjustment	± 1 mm

* Tested with 90x210 cm doors - For more information on the number of hinges to be used according to the weight and dimension of the door, please see the loading charts available on the website www.otlav.it.

Technical features



- A **21 mm depth slot** on the frame side makes it unique and enables its perfect integration in reduced spaces. No need to cut the architrave which can be flush mounted.
- Movement on **7 junction fulcrums** equipped with bearing in plastic HT with high resistance and long life.
- Equipped with **3-way adjustments** that can be settled by means of just one 3 mm hex-spanner. Once installed, the door has natural sinking, Invisacta hinge allows to set the door back to the start position.
- The hinge is reversible.
- **The hinge can be fitted with door closing devices.**
- Outer casings protect the inner junction fulcrums against rubble coming from door installation works.
- The clamping screws, placed in the outer casings, are not used for hinge adjustment, therefore they remain stable for a long time.
- Material of hinge: ZAMAK.
- **CE certified** - according European Assessment Document 020001-01-0405
- **Fireproof certified 30'** according UNI-EN 1634-2
- **Aluminum caps** available to conceal the screws.

Finishing



Hinge **IN230120V702**
Caps **GC230010J102**
Satinized Silver Plated



Hinge **IN230120H004**
Caps **GC230010J102**
Zinc Plated



Hinge **IN230120VN02**
Caps **GC230010J202**
Satinized Nickel Plated



Hinge **IN230120BO02**
Caps **GC2300109R02**
Bronze Plated



Hinge **IN2301209P02**
Caps **GC2300109P02**
White Matt RAL 9016



Hinge **IN230120VO02**
Caps **GC230010J005**
Polished Gold



Hinge **IN2301209N02**
Caps **GC2300109N02**
Matt Black Plastified

**OTHER KIND OF FINISHING
AVAILABLE ON REQUEST**